



Hydrogen Leak Detector

YHLD-100

NEW



Incorporating the all new **YAMAHA** developed **MEMS*** sensor

* MEMS : Micro Electro Mechanical Systems

Detects from low to high concentration of hydrogen

High resolution with range from 0.5 to 13,000 ppm

Immediate detection alert announcement

If hydrogen concentration is over 13,000ppm (=1.3%), the system alarms & stops

Quick response to both increases and decreases of gas concentration

Fast system reset, so device is ready for next measurement extremely quickly

Consecutive measurement capability

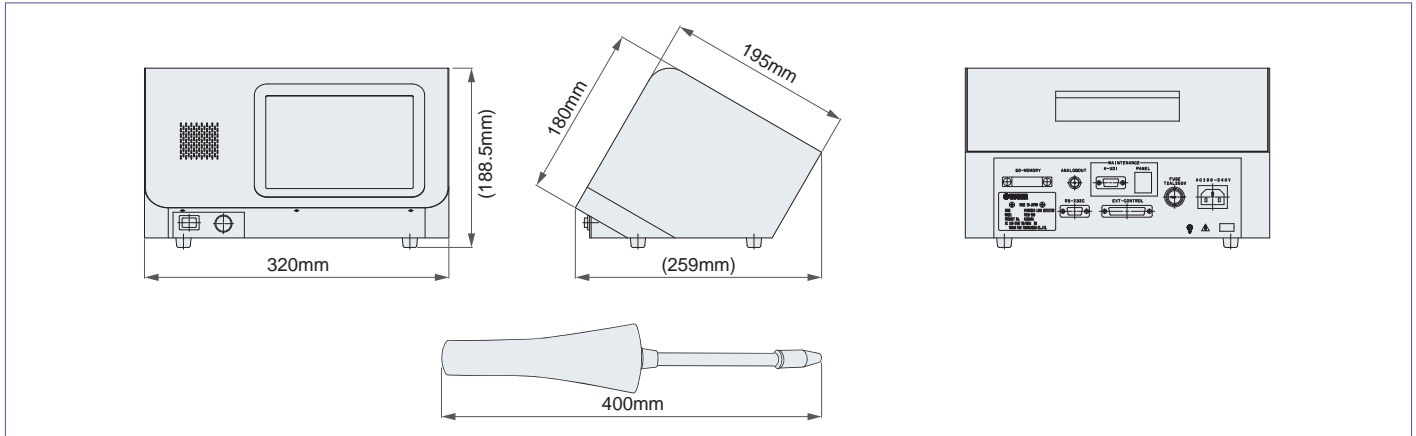
Continuous measurement will not stop as long as hydrogen is present.

Linearity will be maintained & measurement will not become saturated, even during high concentration detection

Ease of use

- Large touch panel color LCD screen
- Intuitive interactive set up and operation modes

External dimensions



Production specification

Sensor		MEMS
Detection gas		Hydrogen (Recommended tracer gas ratio: 5%/hydrogen + 95% nitrogen)
Detective gas concentration		0.5-13,000ppm (1.3%)
Response time		Within 1 second. (10-90% at 1,000ppm)
Controller (main body)	Main panel	7.5" color LCD touch panel
	Contents of display	Measurement data (Value & bar graph)
	Measurement unit	ppm, Pa·m ³ /sec
	Level selection	Judgment point, set point
	Language	English or Japanese
	Detailed function	Line chart (time vs measurement value)
	Adjustment	Re-zero, "Wake-up" (means recover for sensor)
	Speaker	Buzzer for alert & measuring for value (concentration & leakage)
	SD card	Factory tuned sensor parameters are stored on the SD card
Probe	Hydrogen status display on probe	9 stage multi-colored LED status indicator on probe handle
	Contents of display	Probe measuring display & status monitor
	Adjustment	Re-Zero
Power voltage, power supply		AC100-240V, 50/60Hz, 9W
Weight		Controller (main body) /6.3kg, probe/0.3kg, Case/0.3kg
Usage environment		Temp : 5 - 50°C, Humidity : under 80% (Non-condensing)
Interface	Output I/O	Dsub 25pin (8/8 point, PC insulation, 12-24V)
	Measurement	BNC connector (analog output; DC1-5V)
	Output	RS232C (character, value)

Notice : The contents of this catalog are subject to change without notice.

Notice : This device is NOT classified as explosion proof. For use with under 4% hydrogen mixed air only or in accordance with applicable law.

YAMAHA FINE TECHNOLOGIES CO., LTD.

FA Division Sales section 1 283, Aoya-cho, Minami-ku, Hamamatsu, 435-8568, Japan

FAX +81-53-467-3613 TEL +81-53-467-3601